



HOLY STONE

HOLYSTONE



HOLYSTONE



indoor
floor: DARK | 61,0x61,0 cm R_24"x24" R - wall: DARK | mosaico monocolor 36 tessere 5x5_30x30 cm 12"x12" -
furniture: CEPPO DI GRÉ NATURAL | 61,0x122,2 cm RS_24"x48" RS
outdoor
floor: DARK FP2 | 61,0x61,0 cm RS_24"x24" RS - wall: WHITE | mosaico asimmetrico 18 pezzi_30x30 cm 12"x12"

HOLYSTONE

HOLYSTONE

Grès porcellanato
Porcelain stoneware / Grès cérame / Feinsteinzeug

Colori / Colours / Couleurs / Farben



Formati / Sizes / Formats / Formate

61,0x61,0 cm R . 24"x24" R
R10
tutti i colori . all colors .
toutes les couleurs . alle Farben

30,4x61,0 cm R . 12"x24" RS
R10
tutti i colori . all colors .
toutes les couleurs . alle Farben

30,8x61,5 cm NS - outdoor . 12"x24" NS - outdoor
R12 outdoor A+B+C
tutti i colori . all colors .
toutes les couleurs . alle Farben

61,0x122,2 cm R . 24"x48" R
R10
tutti i colori . all colors .
toutes les couleurs . alle Farben

61,0x122,2 cm RS - outdoor . 24"x48" RS - outdoor
R12 outdoor A+B+C
tutti i colori . all colors .
toutes les couleurs . alle Farben

61,0x122 cm RS . 24"x48" RS
FP2 R12 FP2 A+B+C
tutti i colori . all colors .
toutes les couleurs . alle Farben

61,0x61,0 cm RS . 24"x24" RS
FP2 R12 FP2 A+B+C
tutti i colori . all colors .
toutes les couleurs . alle Farben



floor e wall indoor: BEIGE | 61,0x122,2 cm R_24"x48" R
outdoor: WHITE FP2 | 61,0x61,0 cm RS_24"x24" RS

HOLYSTONE

Grès porcellanato
Porcelain stoneware / Grès cérame / Feinsteinzeug

beige



N4U4	61,0x122,2 cm 24"x48"	R	B180
N7V7	61,0x122,2 cm 24"x48" OUTDOOR	RS	B182
N4U8	61,0x61,0 cm 24"x24"	R	B192
N5U2	30,4x61,0 cm 12"x24"	R	C110
N8V5	30,8x61,5 cm 12"x24" OUTDOOR	NS	B141
FP-2			
N6U6	61,0x122 cm 24"x48" FP2	RS	A184
N8V1	61,0x61,0 cm 24"x24" FP2	RS	B198

white



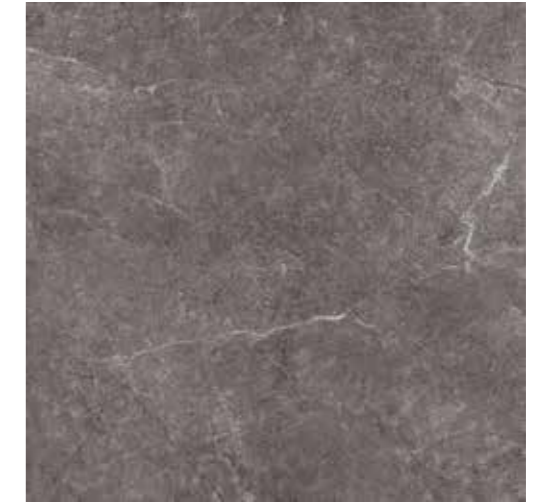
N4U3	61,0x122,2 cm 24"x48"	R	B180
N7V6	61,0x122,2 cm 24"x48" OUTDOOR	RS	B182
N4U7	61,0x61,0 cm 24"x24"	R	B192
N5U1	30,4x61,0 cm 12"x24"	R	C110
N8V4	30,8x61,5 cm 12"x24" OUTDOOR	NS	B141
FP-2			
N6U5	61,0x122 cm 24"x48" FP2	RS	A184
N8V0	61,0x61,0 cm 24"x24" FP2	RS	B198

grey



N4U5	61,0x122,2 cm 24"x48"	R	B180
N7V8	61,0x122,2 cm 24"x48" OUTDOOR	RS	B182
N4U9	61,0x61,0 cm 24"x24"	R	B192
N5U3	30,4x61,0 cm 12"x24"	R	C110
N8V6	30,8x61,5 cm 12"x24" OUTDOOR	NS	B141
FP-2			
N6U7	61,0x122 cm 24"x48" FP2	RS	A184
N8V2	61,0x61,0 cm 24"x24" FP2	RS	B198

dark



N4U6	61,0x122,2 cm 24"x48"	R	B180
N7V9	61,0x122,2 cm 24"x48" OUTDOOR	RS	B182
N5U0	61,0x61,0 cm 24"x24"	R	B192
N5U4	30,4x61,0 cm 12"x24"	R	C110
N8V7	30,8x61,5 cm 12"x24" OUTDOOR	NS	B141
FP-2			
N6U8	61,0x122 cm 24"x48" FP2	RS	A184
N8V3	61,0x61,0 cm 24"x24" FP2	RS	B198

indoor: BEIGE | 61,0x122,2 cm R_24"x48" R
outdoor: WHITE FP2 | 61,0x61,0 cm RS_24"x24" RS



WHITE | 61,0x61,0 cm R_24"x24" R



floor: GREY | 61,0x122,2 cm R_24"x48" R - wall: DARK | mosaico asimmetrico 18 pezzi_30x30 cm 12"x12"



Per la disponibilità articolo: www.tuscaniagres.it digitando il codice web segnalato a lato dei formati.
For the item's availability: www.tuscaniagres.it type the web code reported next to the sizes.
Pour vérifier la disponibilité de l'article: www.tuscaniagres.it en saisissant le code web indiqué à coté des formats.
Für die Artikelverfügbarkeit: www.tuscaniagres.it web code eingeben, an der Seite von Formaten angedeutet.

HOLYSTONE

Sviluppo grafico / Design development / Développement graphique / Grafische Entwicklung 61,0x122,2 cm R 24"x48" R
(12 grafiche diverse / 12 different design / 12 graphiques différents / 12 verschiedene Grafische)



beige



white



grey




dark

HOLYSTONE

Decori / Decors / Décors / Dekors

mosaico monocolore 36 tessere 5x5 - 30x30 cm 12"x12"  **P71**

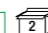


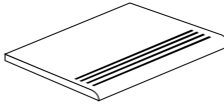

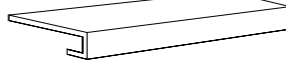


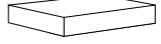




mosaico asimmetrico 18 pz - 30x30 cm 12"x12"  **P77**



Pezzi Speciali / Special Pieces / Pièces Spéciales / Formteile



elemento "L" monolitico outdoor
15x61x4 cm 6"x24"x1 3/4"  **P51**
beige
white
grey
dark

 step 30,4x61,0 cm R 12"x24" R  P90 beige white grey dark	 gradino costa retta 34x122,2x4 cm R 13"x48"x1 3/4" R  P32 34x61,0x4 cm R 13"x24"x1 3/4" R  P31 beige white grey dark	 vista frontale angolare costa retta dx/sx 34x122,2x4 cm R 13"x48"x1 3/4" R  P41 34x34x4 cm R 13"x13"x1 3/4" R  P40 beige white grey dark	 battiscopa 6,5x61,0 cm R 2 1/2"x24" R  P07 beige white grey dark
---	--	---	---

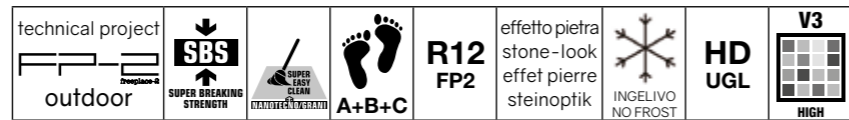
Note / Notes / Notes / Anmerkungen
I battiscopa e gli elementi "L" vengono venduti a pz. e a scatola completa. Tutti gli altri pezzi speciali vengono venduti al pezzo. I gradini vengono prodotti solo su ordinazione (tempo minimo di consegna 20 gg lavorativi).
All skirting and monolithic L elements, priced per piece, are sold in full box. All other special trims are sold by piece. Steps are produced only on request (minimum delivery terms of 20 days).
Les plinthes et élément "L" sont vendues la pièce et par boîte complète. Les autres pièces spéciales sont vendus la pièce. Le plat de marche sont produit sur demande (délai minimum de 20 jours).
Die Sockelleisten und Stufen werden pro Stk. und Vollen Kartons verkauft. Stufen und Stufenecken werden nur auf Bestellung produziert (Lieferzeiten mindesten 20 arbeitstagen ab Auftragserteilung).



HOLYSTONE

Grès porcellanato
Porcelain stoneware / Grès cérame / Feinsteinzeug

Colori / Colours / Couleurs / Farben



Formati / Sizes / Formats / Formate



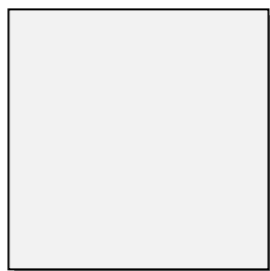
RS Rettificato/Strutturato
Rectified/Textured



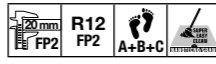
61,0x122 cm RS .
24"x48" RS



tutti i colori . all colors .
toutes les couleurs . alle Farben



61,0x61,0 cm RS . 24"x24" RS



tutti i colori . all colors .
toutes les couleurs . alle Farben

WHITE FP2 | 61,0x61,0 cm . 24"x24" RS
outdoor: WHITE | 61,0x122,2 cm RS_24"x48" RS outdoor
WHITE | gradino costa retta
34x61,0x4 cm R_13"x24"x1^{3/4}" R out
indoor: WHITE | 61,0x61,0 cm R_24"x48" R
WHITE | gradino costa retta
34x61,0x4 cm R_13"x24"x1^{3/4}" R

floor: BEIGE FP2 | 61,0x122 cm RS_24"x48" RS
BEIGE FP2 | 61,0x61,0 cm R_24"x48" R
BEIGE FP2 | elemento "L" 30x61,0x5 cm_12"x24"x2"
wall: BEIGE | mosaico monocoloro 36 tessere 5x5_30x30 cm 12"x12"



Per la disponibilità articolo: www.tuscaniagres.it digitando il codice web segnalato a lato dei formati.
For the item's availability: www.tuscaniagres.it type the web code reported next to the sizes.
Pour vérifier la disponibilité de l'article: www.tuscaniagres.it en saisissant le code web indiqué à coté des formats.
Für die Artikelverfügbarkeit: www.tuscaniagres.it web code eingeben, an der Seite von Formaten angedeutet.



beige



20 mm

N6U6 | 61,0x122 cm 24"x48" FP2

RS A184

N8V1 | 61,0x61,0 cm 24"x24" FP2

RS B198

white



20 mm

N6U5 | 61,0x122 cm 24"x48" FP2

RS A184

N8V0 | 61,0x61,0 cm 24"x24" FP2

RS B198

grey



20 mm

N6U7 | 61,0x122 cm 24"x48" FP2

RS A184

N8V2 | 61,0x61,0 cm 24"x24" FP2

RS B198

dark



20 mm

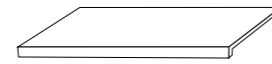
N6U8 | 61,0x122 cm 24"x48" FP2

RS A184

N8V3 | 61,0x61,0 cm 24"x24" FP2

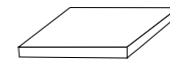
RS B198

FP2 Pezzi Speciali / Special Pieces / Pièces Spéciales / Formteile



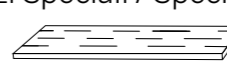
elemento "L"
61,0x122x5 cm 24"x48" x2" RS P121
30x61,0x5 cm 12"x24" x2" RS P100

beige
white
grey
dark



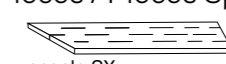
angolare elemento "L" SX/DX
61,0x61,0x5 cm 24"x24" x2" RS P122
30x30x5 cm 12"x12" x2" RS P103

beige
white
grey
dark



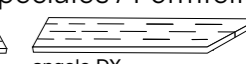
griglia
20x122 cm 8"x48" RS P123
20x61,0 cm 8"x24" RS P117

beige
white
grey
dark

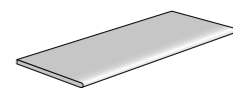


angolo SX
griglia angolo
20x122 cm 8"x48" RS P124 COPPIA
20x61,0 cm 8"x24" RS P107 COPPIA

beige
white
grey
dark

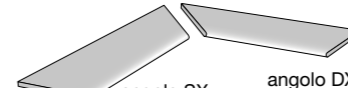


angolo DX



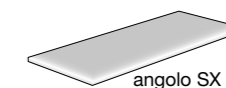
round lineare
30x122 cm 12"x48" RS P125
30x61,0 cm 12"x24" RS P110

beige
white
grey
dark



round angolare
30x122 cm 12"x48" RS P126 COPPIA
30x61,0 cm 12"x24" RS P119 COPPIA

beige
white
grey
dark



angolo bordo toro
30x122 cm 12"x48" RS P127
30x61,0 cm 12"x24" RS P114

beige
white
grey
dark

Note - Notes - Notes - Anmerkungen
I pezzi speciali FP2 vengono venduti al pezzo e solo su ordinazione (tempo minimo di consegna 20 gg lavorativi dall'ordine).
The special pieces FP2 are sold by piece and only on request (minimum delivery time 20 working days from date of order).
Les pièces spéciales FP2 sont vendus à la pièce et uniquement sur commande (délai minimum de livraison 20 jours ouvrés à partir de la commande).
Spezial Teile FP2 sind pro Stück verkauft und nur auf Bestellungen produziert. (Lieferzeiten mindesten 20 arbeitstage ab Auftragbestätigung)



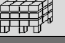

floor: GREY | 61,0x122,2 cm R_24"x48" R
 wall: DARK | mosaico asimmetrico 18 pezzi_30x30 cm 12"x12"

HOLYSTONE












floor: BEIGE FP2 | 61,0x122 cm RS_24"x48" RS, BEIGE FP2 | 61,0x61,0 cm R_24"x48" R
 BEIGE FP2 | elemento "L" 30x61,0x5 cm_12"x24"x2"
 wall: BEIGE | mosaico monocolor 36 tessere 5x5_30x30 cm 12"x12"



Tabella pesi ed imballi / Sizes weight and packaging /
 Mesures poids et emballages / Tabelle der Gewichte und Verpackungen /

formati / sizes / tailles / formate /	⚡	pz. x box	mq. x box	box x pal.	mq. x pal.	kg. x mq	kg. x box	kg. x pal.	
NATURALI / NATURAL (N)									
30,8x61,5 cm 12"x24" N	9 mm	7	1,32	40	52,80	18,13	23,93	970	80x120x75
RETTIFICATI / RECTIFIED (R)									
61x122,2 cm 24"x48" R	9,5 mm	2	1,49	36	53,64	20,50	30,54	1115	94x120x75
61x61 cm 24"x24" R	9 mm	4	1,49	30	44,70	20,29	30,23	920	80x120x75
30,4x61 cm 12"x24" R	9 mm	7	1,30	40	52,00	19,65	25,55	1035	80x120x75
SPESSORATI / EXTRA THICK (R) 									
61x122 cm 24"x48" R	20 mm	1	0,74	36	26,64	40,33	29,85	1090	94x120x75
61x61 cm 24"x24" R	20 mm	2	0,74	30	22,20	44,23	32,73	995	80x120x75
pezzi speciali / special pieces / pièces spéciales / formteile /									
6,5x61 cm 2"x24" battiscopa rettificato		12					8,50		

Simbologia caratteristiche tecniche - grès porcellanato / Symboles technical characteristics - porcelain stoneware / Symboles des caracteristiques techniques - grès cérame / Symbole technischen eigenschaften - feinsteinzeug /

TUSCANIA ceramiche	CARATTERISTICHE TECNICHE TECHNICAL CHARACTERISTICS CARACTÉRISTIQUES TECHNIQUES TECHNISCHE MERKMALE	NORMA DI RIFERIMENTO REFERENCE STANDARD NORME DE REFERENCE PRÜFMETHODE	VALORE RICHIESTO REQUIRED VALUE VALEUR REQUISE SOLLWERT	VALORE MEDIO TUSCANIA AV. TUSCANIA VALUE VALEUR MOYENNE TUSCANIA MITTLERER TUSCANIA-WERT	
		DIMENSIONI DIMENSIONS DIMENSIONS ABMESSUNGEN	ISO 10545-2	CONFORME COMPLIANT CONFORME KONFORM	CONFORME COMPLIANT CONFORME KONFORM
	ASSORBIMENTO D'ACQUA WATER ABSORPTION ABSORPTION D'EAU WASSERAUFNAHME	ISO 10545-3	≤ 0,5 %	CONFORME COMPLIANT CONFORME KONFORM	
	RESISTENZA A FLESSIONE MODULUS OF RUPTURE RESISTANCE A LA FLEXION BIEGEFESTIGKEIT	ISO 10545-4	MODULUS OF RUPTURE R ≥ 35 N/MM ² BREAKING STRENGTH S ≥ 1300 N	CONFORME COMPLIANT CONFORME KONFORM	
	RESISTENZA ALL'ABRASIONE ABRASION RESISTANCE RÉSISTANCE À L'ABRASION ABRIEBBESTÄNDIGKEIT	ISO 10545-7	PEI SOLO PER PIASTRELLE SMALTATE ONLY FOR GLAZED TILES		
	DILATAZIONE TERMICA LINEARE LINEAR THERMAL EXPANSION DILATATION THERMIQUE LINEAIRE LINEARE WÄRMEAUSSDEHNUNG	ISO 10545-8	≤ 9x10 ⁻⁵ °C ⁻¹	CONFORME COMPLIANT CONFORME KONFORM	
	RESISTENZA AGLI SBALZI TERMICI THERMAL SHOCK RESISTANCE RESISTANCE AUX ECARTS DE TEMPERATURE ITEMPERATURWECHSELBESTÄNDIGKEIT	ISO 10545-9	RESISTENTE RESISTANT RESISTANT BESTÄNDIG	RESISTENTE RESISTANT RESISTANT BESTÄNDIG	
	RESISTENZA AL GELO FROST RESISTANCE RESISTANCE AU GEL FROSTBESTÄNDIGKEIT	ISO 10545-12	RESISTENTE RESISTANT RESISTANT BESTÄNDIG	RESISTENTE RESISTANT RESISTANT BESTÄNDIG	
	RESISTENZA AGLI ACIDI ED ALLE BASI ACID AND ALKALI RESISTANCE RESISTANCE AUX ACIDES ET AUX BASES SÄURE- UND LAUGENBESTÄNDIGKEIT	ISO 10545-13	CLASS GB MIN.	LOW CONCENTRATION GLA HIGH CONCENTRATION GHA	
	RESISTENZA ALL'ATTACCO CHIMICO CHEMICAL RESISTANCE RESISTANCE À L'ATTAQUE CHEMIQUE CHEMISCHE BESTÄNDIGKEIT	ISO 10545-13	CLASS GB MIN.	GA	
	RESISTENZA ALLE MACCHIE STAIN RESISTANCE RESISTANCE AU TACHES FLECKENBESTÄNDIGKEIT	ISO 10545-14	CLASS 3 MIN.	5	
	COEFFICIENTE DI ATTRITO (SCIVOLOSITÀ) FRICTION COEFFICIENT (SLIPPERINESS) COEFFICIENT DE FRICTION (GLISSEMENT) REIBUNGSKOEFFIZIENT (RUTSCHIGKEIT)	BCR - ITALIA DM DEL 14-06-89	ASTM - USA ASTM C1028	DIN - GERMANIA DIN 51130	
		DRY RUBBER 0,62	WET RUBBER 0,51	DRY LEATHER 0,62	DRY NEOLYTHE 0,69

THE PRODUCTS HAVING AN ABSORPTION < 0,5% ARE CLASSIFIED ACCORDING THE UNI CEN STANDARDS "FULLY VITRIFIED TILES" AND ACCORDING TO THE ASTM STANDARDS "IMPERVIOUS TILES"

Le informazioni contenute nel presente catalogo sono il più possibile esatte, ma non sono da ritenersi vincolanti. Per esigenze di produzione l'Azienda si riserva il diritto di apportare eventuali modifiche che si rendessero necessarie. Peso, colori e misure sono soggetti alle inevitabili variazioni tipiche del processo di cottura della ceramica. Il colori e gli effetti riportati sul presente catalogo sono indicativi per i limiti consentiti dalla stampa; per questo non possono essere vincolanti e costituire base per eventuali contestazioni.

The information contained in this catalogue is as accurate as possible, but cannot be considered as legally binding. The Company reserves the right to make any modifications that become necessary due to production requirements. Weight, colours and dimensions are subject to the inevitable variations typical of the ceramic firing process. Colours and aesthetic effects shown on this catalogue should be considered indicative and approximate as a result of printing process limits. Possible variations may occur and can not be at the base of any claim.

Les informations reprises dans ce catalogue sont exactes, mais elles n'engagent aucunement notre Société du point de vue légal. Pour des exigences de production la Société se réserve le droit d'apporter toutes les dimensions sont assujettis aux variations typiques du processus de cuisson de la céramique. Les couleurs et les effets présentés dans ce catalogue sont indicatifs dans la mesure permise par la presse, ce qui explique pourquoi ils ne peuvent pas être obligatoire et constituer la base d'un éventuel désaccord.

Die Informationen des vorliegenden Katalogs sind so exakt wie möglich, sind jedoch nicht als gesetzlich verbindlich zu betrachten. Aus Fertigungsgründen behält die Firma sich das Recht vor, eventuell notwendige Änderungen vorzunehmen. Gewicht, Farben und Abmessungen unterliegen den unvermeidlichen Veränderungen, die für den Brennvorgang von Keramikprodukten typisch sind. Die in diesem Katalog gezeigten Farben und Effekte sind Richtwerte, soweit durch die Presse, die ist, warum sie nicht bindend und stellen die Grundlage für eine Meinungsverschiedenheit gestattet.

Credit:

Marketing:
Tuscania

Progetto Grafico:
EUREKA

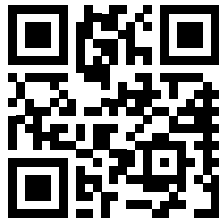


Tuscania S.p.A.
Via Giardini Sud, 4603
41028 Serramazzoni (Mo) - Italia
Tel. +39 0536.952399
Fax +39 0536.954716
info@tuscaniagres.it
www.tuscaniagres.it



HOLY
STONE

f  in 



tuscaniagres.it

